



# Garage Doors

Double-leaf aluminium frame doors with panel infills

**HÖRMANN**

# Garage doors

Easy access to garages and outbuildings



A garage door lets you easily access bikes and gardening tools in the garage. Double-leaf, insulated NT60-2 and NT80-2 garage doors are also ideal for renovating older hinged doors. This maintains a classic look without having to do without the advantages of modern function and security. Your Hörmann specialised trade partner will be happy to assist you.



Made in Germany



### Aluminium frame construction with panel infill

The frame's aluminium extrusion profiles and 42-mm-thick, PU-foamed infill made of steel sandwich panels ensure the required garage door stability and guarantee a long service life.

### Ready-to-fit door set

Hörmann NT60-2 and NT80-2 garage doors are delivered ready-to-fit with a profile cylinder mortice lock, a lever handle set with a security rose escutcheon outside and oval rose escutcheon inside and 3-way adjustable, maintenance-free hinges.

### Good thermal insulation

The especially good insulation of the NT80-2 garage doors, including profiles with thermal breaks, helps to avoid draughts and unnecessary heat losses. This saves energy, for example, if the garage is also used as a hobby room.

### Matching Hörmann sectional doors

Hörmann can provide you with a double-leaf garage door to match your sectional garage door, even with the exact same alignment on request.

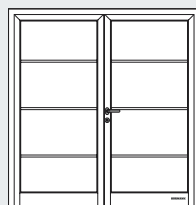
There are six infill designs to choose from matching S, M, L, D, T-ribbed and panelled (only NT60) Hörmann sectional doors. You can find further information at [www.hoermann.com](http://www.hoermann.com)



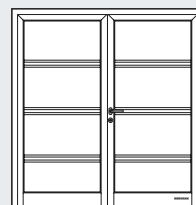
S-ribbed (NT60 / NT80)



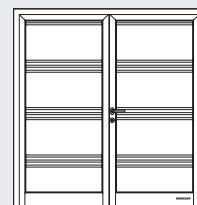
M-ribbed (NT60 / NT80)



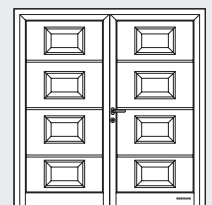
L-ribbed (NT60 / NT80)



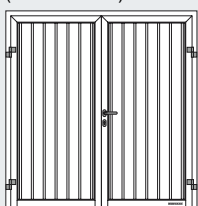
D-ribbed (NT60 / NT80)



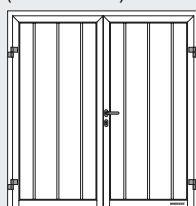
T-ribbed (NT60 / NT80)



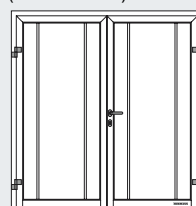
Panel (NT60)



S-ribbed (NT60)



M-ribbed (NT60)



L-ribbed (NT60)



Panel (NT60)

Copyright: No part or excerpt may be reproduced without our prior permission. Subject to changes. The doors shown are example applications – no guarantee.

# 4 surface finishes

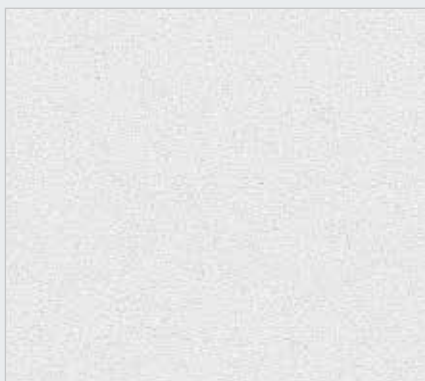
It's your choice



Woodgrain, Traffic white, RAL 9016

### Woodgrain

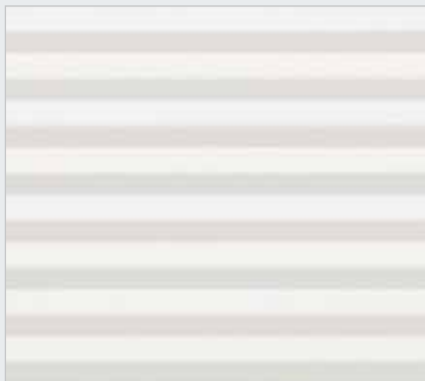
On this inexpensive, robust surface with an authentic sawn timber look, minor scratches can be easily repaired by working with the texture.



Sandgrain, Traffic white, RAL 9016

### Sandgrain

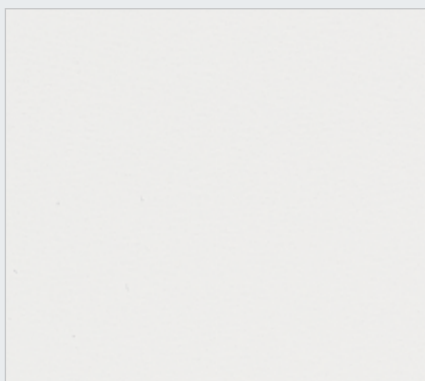
The finely structured surface is an ideal choice for price-conscious owners and is particularly suited for modern homes.



Micrograin, Traffic white, RAL 9016

### Micrograin

This surface features a wave profile that is embossed into smooth steel, producing attractive light and shadow effects.



Silkgrain, Traffic white, RAL 9016

### Silkgrain

Thanks to its elegant door appearance, the silky smooth Silkgrain surface finish is the first choice for modern architecture.

A 50 % thicker exterior sheet on the sections also ensures higher stability. NT60-2 D and T-ribbed are only available in Silkgrain.

# Colour

Beautiful and protective colour

## 15 preferred colours

Grey aluminium	RAL 9007
White aluminium*	RAL 9006
Terra brown*	RAL 8028
Clay brown	RAL 8003
Ochre brown	RAL 8001
Window grey	RAL 7040
Light grey	RAL 7035
Stone grey	RAL 7030
Anthracite grey*	RAL 7016
Fir green	RAL 6009
Moss green	RAL 6005
Pigeon blue	RAL 5014
Steel blue	RAL 5011
Ruby red	RAL 3003
Light ivory	RAL 1015

## 15 inexpensive preferred colours

The garage doors are available as standard in Traffic white RAL 9016, as well as in 15 inexpensive preferred colours and in around 200 colours from the RAL colour chart.

You can choose from 3 preferred colours\* for the surface finish Sandgrain.

\* Preferred colours for Sandgrain surface finish



## 6 Decograin decors

For NT60-2



Decograin Golden Oak: medium brown, golden yellow oak design



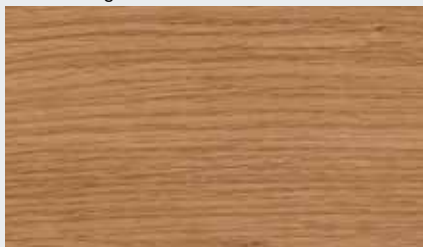
Decograin Dark Oak: walnut-coloured oak decor



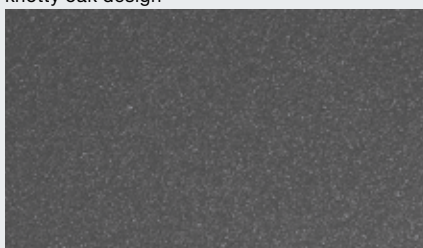
Decograin Night Oak: dark, intense oak design



Decograin Rosewood: mahogany-coloured timber design



Decograin Winchester Oak: natural-coloured knotty oak design



Titan Metallic CH 703: Anthracite with a metallic effect

### Elegance and detailed accuracy

Decograin is available in five natural-looking timber designs and with a metallic effect only for M-ribbed, L-ribbed and panelled doors.

An embossed wood grain gives it an authentic timber character.

The door remains beautiful for a long time thanks to the special surface protection of the UV-resistant plastic film coating on the outside of the steel sections.

# Garage doors

Two versions of Hörmann quality



NT60-2 garage door  
(The door shown contains special equipment)

## NT60-2

### Solid construction

#### Standard equipment

Double-leaf garage door for fitting in the opening

#### Leaf frame and door frame

Aluminium profiles, depth 60 mm

#### Door infill

Double-skinned, PU-foamed steel sections, depth 42 mm

#### Door infill surface finish

Exterior: Woodgrain, Sandgrain, Silkgrain, Micrograin and Decograin\*

Interior: Stucco-textured, RAL 9002

#### Standard colour:

Frame, leaf profile and infill:

Traffic white, RAL 9016

Interior infill: Grey white, RAL 9002

#### Size range

From 1330 x 1960 mm to 2500 x 2558 mm

#### Locking

Mortice lock 1314

#### Optional

---

Handle variants

---

RAL colours to choose

---

Slide rail overhead door closer (OTS)

---

Door stay

---

Styles, window and aluminium frame glazing

---

Triple locking with security bolts in frame, possible for RC2 opening outwards

---

Electric door strike (for day release)

---

Asymmetrical division\*\*

---

Interior infill: same colour as exterior\*\*\*

---

Further information can be found in the current dealer price list.

\* In the surface finishes Dark Oak, Golden Oak, Night Oak, Winchester Oak, Rosewood and Titan Metallic CH703 with block frame, you will receive a frame and door in the same surface finish for a matching appearance.

\*\* From 1330 ≤ RAM B ≤ 2000 mm, fixed passage width of 870 mm for traffic leaf, OTS only possible on traffic leaf

\*\*\* Adapted RAL colour for Decograin



NT80-2 garage door  
(The door shown contains special equipment)

## NT80-2 Insulated

### Standard equipment

Double-leaf, insulated garage door for fitting in the opening, **opening inwards**

### Leaf frame and door frame

Aluminium profiles with thermal break, based on the TC80-2 from the entrance door range

### Door infill

Double-skinned, PU-foamed steel sections, depth 42 mm

### Door infill surface finish

Exterior: Woodgrain, Sandgrain, Silkgrain, Micrograin  
Interior: Stucco-textured, RAL 9002

### Standard colour:

Frame, leaf profile and infill:  
Traffic white, RAL 9016  
Interior infill: Grey white, RAL 9002

### Size range

Up to 2600 × 2500 mm (RAM)

### Locking

5-point locking, rebate locking bolt in fixed leaf with stainless steel security bolts in the frame

### Optional

---

Opening outwards

---

Handle variants

---

RAL colours to choose

---

Slide rail overhead door closer (OTS)

---

Door stay

---

Electric door strike

---

Retractable bottom seal (version without threshold)

---

Further accessories and optional extras from the TopComfort entrance door programme, style 102

---

Also available as a single-leaf door

---

All colours based on RAL.

More information on colours and surface finishes can be found in Hörmann's sectional garage doors brochure and on the Internet at [www.hoermann.com](http://www.hoermann.com).

# Equipment

## Quality in the details

### Hinges

**NT60-2:** In black as standard, optionally available in white or natural aluminium finish. For Decograin doors, please consult your Hörmann specialist.

**NT80-2:** In white as standard, optionally available in a natural aluminium finish or RAL to choose.

### Lever handle

#### NT60-2:

Standard: plastic lever handle set, black  
Optional: cast aluminium natural, silver, white, brown or brushed stainless steel finish.

#### NT80-2:

Lever/lever handle set as standard, white on the inside with aluminium on the outside, with optional handle sets available.  
For more information on the options available, please consult the TopComfort aluminium entrance door programme.

### Locking

#### NT60-2:

mortice lock  
Optional: triple security lock with protective fitting

#### NT80-2:

5-point security lock H5, stainless steel lock cover  
Note: On request with electric door strike, only possible with Hörmann door strike!

### Hold-open device

#### NT60-2:

through latching bolt at top and bottom on fixed leaf (standard)  
Optional: door stay for the traffic leaf

#### NT80-2:

rebate locking bolt  
Optional: door stay for the traffic leaf

### NT60-2



3-way adjustable hinges

### NT80-2



3-way adjustable hinges



Plastic lever handle



Stainless steel handle set (optional)



Additional security bolt



Security bolts



Triple locking (optional)  
One swing bolt each at top and bottom



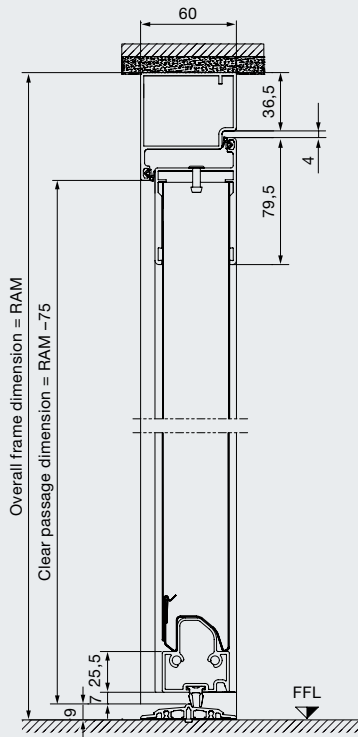
5 locking points and 3 swing bolts

Some of the illustrations include special equipment.

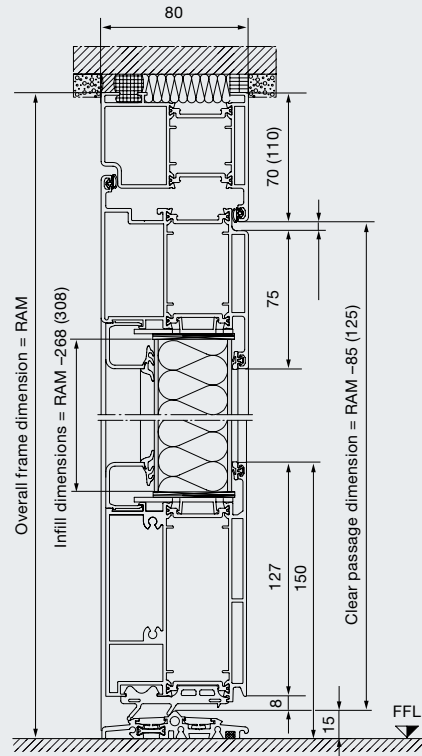


# Fitting data

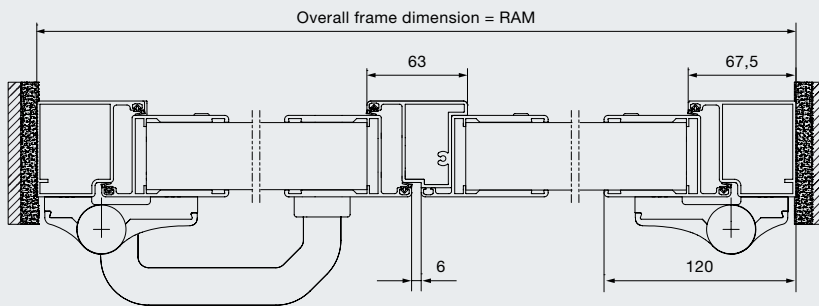
**Vertical view**  
**NT60-2**



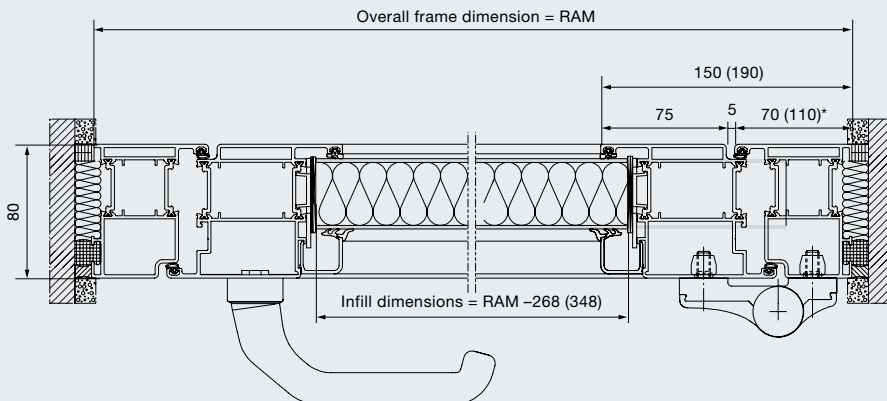
**Vertical view**  
**NT80-2**



**Horizontal view**  
**NT60-2**



**Horizontal view**  
**NT80-2**





HOLMANN

# Experience Hörmann quality in new construction and modernisation

Hörmann provides an excellent basis for comprehensive planning. Carefully matched solutions offer you the very best in perfectly designed products for every area.

- **Garage doors**

Optimally match your personal architectural style: up-and-over or sectional doors made of steel or timber.

- **Gate and Door Operators**

Enjoy extra convenience and break-in-resistant security with Hörmann operators for garage doors and entrance gates. You can profit from the convenience of Hörmann door operators in your residential space as well.

- **Entrance doors**

Our comprehensive entrance door ranges include models that fit almost every need and requirement.

- **Steel doors**

Sturdy doors for your entire home, from basement to roof.

- **Frames**

Choose from our comprehensive range of products for new construction, expansion and modernisation.



Garage doors and entrance gate operators



Thermo65 / Thermo46 entrance doors



Steel doors

# PRO-TEC

garage door services

Daytime tel: 07817 469536

Eve tel: 01226 761506

email: [chris@protecgaragedoors.co.uk](mailto:chris@protecgaragedoors.co.uk)



Based near Barnsley in South Yorkshire, PRO-TEC GARAGE DOORS are available to supply & install Garage Doors & Automation Systems throughout Yorkshire, including the following areas: Barnsley, Dewsbury, Cleckheaton, Heckmondwike, Liversedge, Batley, Horbury, Ossett, Bradford, Garforth, Pudsey, Morley, Leeds, York, Wetherby, Knottingley, Tadcaster, Kippax, Castleford, Pontefract, Normanton, Featherstone, Hemsworth, Selby, Sheffield, Rotherham, Stocksbridge, Penistone, Holmfirth, Huddersfield, Brighouse, Halifax, Elland & Wakefield.